

# Technical data sheet

## Product features



### Cooking range electric with electric static oven

<b>Model</b>	<b>SAP Code</b>	00014787
--------------	-----------------	----------



- Device type: Electric unit
- Power consumption of the zone 1 [kW]: 2,6
- Power consumption of the zone 2 [kW]: 2,6
- Power consumption of the zone 3 [kW]: 2,6
- Power consumption of the zone 4 [kW]: 2,6
- Power consumption of the zone 5 [kW]: 2,6
- Power consumption of the zone 6 [kW]: 2,6
- Type of internal part of the appliance 1 (eg oven): Electric
- Type of internal part of the appliance 2 (eg oven): Static
- Protection of controls: IP24
- Material: AISI 304 top plate and cladding

<b>SAP Code</b>	00014787	<b>Power consumption of the zone 1 [kW]</b>	2,6
<b>Net Width [mm]</b>	1200	<b>Power consumption of the zone 2 [kW]</b>	2,6
<b>Net Depth [mm]</b>	730	<b>Power consumption of the zone 3 [kW]</b>	2,6
<b>Net Height [mm]</b>	900	<b>Power consumption of the zone 4 [kW]</b>	2,6
<b>Net Weight [kg]</b>	166.00	<b>Power consumption of the zone 5 [kW]</b>	2,6
<b>Power electric [kW]</b>	24.300	<b>Power consumption of the zone 6 [kW]</b>	2,6
<b>Loading</b>	400 V / 3N - 50 Hz	<b>Type of internal part of the appliance 1 (eg oven)</b>	Electric
<b>Number of zones</b>	6	<b>Type of internal part of the appliance 2 (eg oven)</b>	Static

# Technical data sheet

Technical drawing

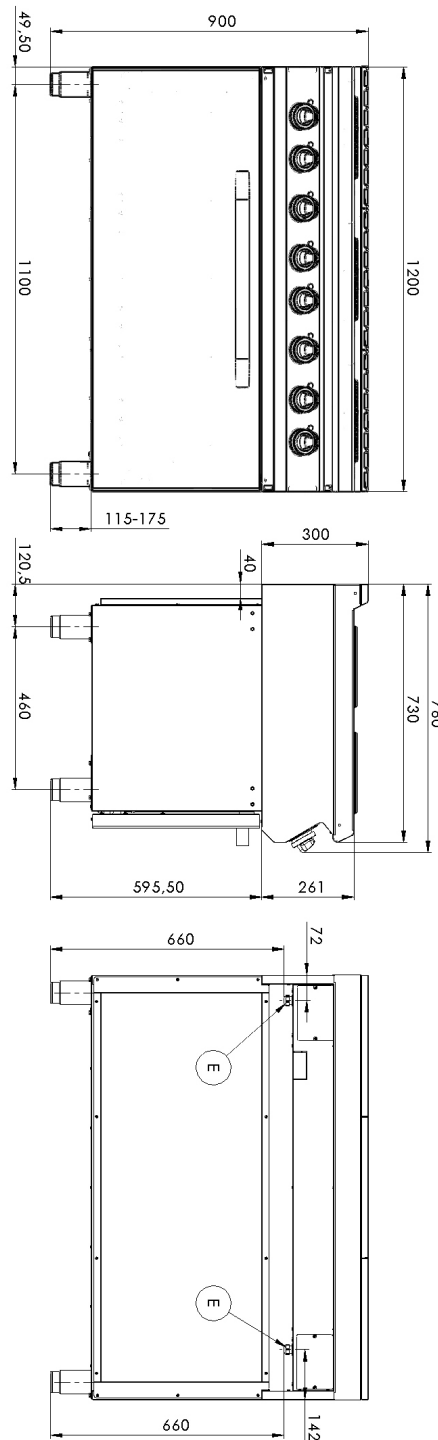


Cooking range electric with electric static oven

Model

SAP Code

00014787



# Technical data sheet

Technical parameters



## Cooking range electric with electric static oven

**Model**

**SAP Code**

00014787

**1. SAP Code:**

00014787

**2. Net Width [mm]:**

1200

**3. Net Depth [mm]:**

730

**4. Net Height [mm]:**

900

**5. Net Weight [kg]:**

166.00

**6. Gross Width [mm]:**

1260

**7. Gross depth [mm]:**

820

**8. Gross Height [mm]:**

1080

**9. Gross Weight [kg]:**

182.00

**10. Device type:**

Electric unit

**11. Construction type of device:**

Stationary

**12. Power electric [kW]:**

24.300

**13. Loading:**

400 V / 3N - 50 Hz

**14. Protection of controls:**

IP24

**15. Exterior color of the device:**

Stainless steel

**16. Material:**

AISI 304 top plate and cladding

**17. Worktop type:**

Molded - comfortable cleaning maintenance

**18. Worktop material:**

AISI 304

**19. Worktop Thickness [mm]:**

1.50

**20. Number of zones:**

6

**21. Power consumption of the zone 1 [kW]:**

2,6

**22. Power consumption of the zone 2 [kW]:**

2,6

**23. Power consumption of the zone 3 [kW]:**

2,6

**24. Power consumption of the zone 4 [kW]:**

2,6

**25. Power consumption of the zone 5 [kW]:**

2,6

**26. Power consumption of the zone 6 [kW]:**

2,6

**27. Service accessibility:**

Trough the frontal panel

**28. Safety thermocouple:**

Yes

# Technical data sheet

Technical parameters



## Cooking range electric with electric static oven

**Model**

**SAP Code**

00014787

**29. Adjustable feet:**

Yes

**30. Number of burners/hot plates:**

6

**31. Type of electric cooking zones:**

Oval

**32. Oven Type:**

electrical static

**33. Oven power gas [kW]:**

8.70

**34. Oven size:**

GN 3x 1/1

**35. Type of internal part of the appliance 1 (eg oven):**

Electric

**36. Type of internal part of the appliance 2 (eg oven):**

Static

**37. Gasket:**

Yes

**38. Cross-section of conductors CU [mm<sup>2</sup>]:**

10

- Výkon (kW): 5,7-6,6 (230 V); 9,8-11 (400 V)